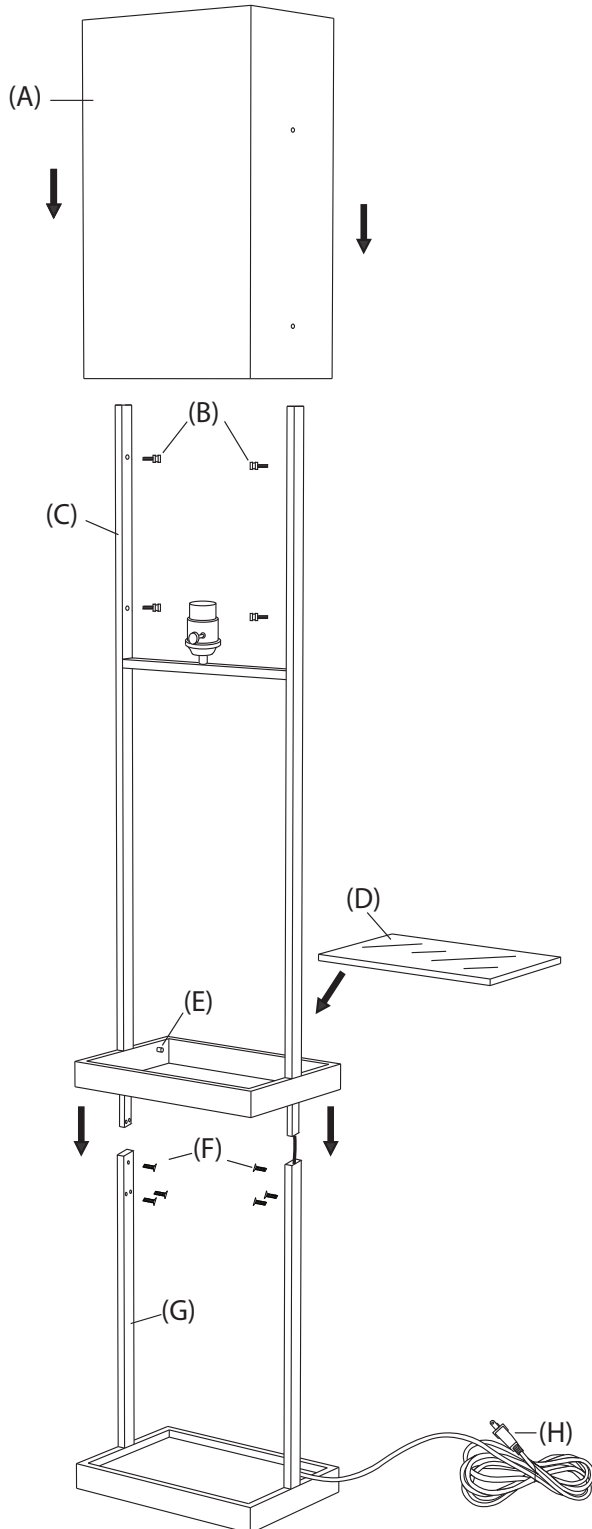


ASSEMBLY INSTRUCTIONS FOR YOUR
NIKOLE FLOOR LAMP



IMPORTANT SAFETY INSTRUCTIONS:

- * This lamp has a polarized plug (one blade is wider than the other) as a feature to reduce the risk of electric shock. This plug will fit in a polarized outlet only one way. If it does not fit fully in the outlet, reverse the plug. If it still does not fit, contact a qualified electrician. Do NOT alter the plug.
- * Do not use with an extension cord unless the plug from the lamp can be fully inserted into the extension cord receptacle.
- * Switch power off and remove plug from the wall outlet before replacing the bulb.
- * This fixture is UL rated for dry locations.

ASSEMBLY INSTRUCTIONS:

NOTE: Do not connect electricity until lamp is fully assembled.

1. Place base frame (G) on a level surface.
2. Remove screws (F) from frame (G) and set aside.
2. Slide checks of metal frame (C) into opening of base frame (G). Pull wiring tight when joining frame (G) and (C) together to prevent damage to the wire.
3. Thread screws (F) back into screw holes in base frame (G) to secure frames (G) and (C) together.
4. Gently rest glass shelf (D) onto pegs (E).
5. Remove shade screws (B) from threaded holes in metal frame (C).
6. Align holes in shade (A) with holes in metal frame (C). Thread screws (B) into threaded holes in metal frame (C) to secure shade (A) to frame (C).
7. Install one (1) Type A, 150 watt maximum bulb into the socket.
8. Remove protective plastic from electrical plug (H).
9. Plug lamp into wall outlet. Control power to fixture by rotating switch on socket.